

HSG

HYDRO SYSTEMS GROUP



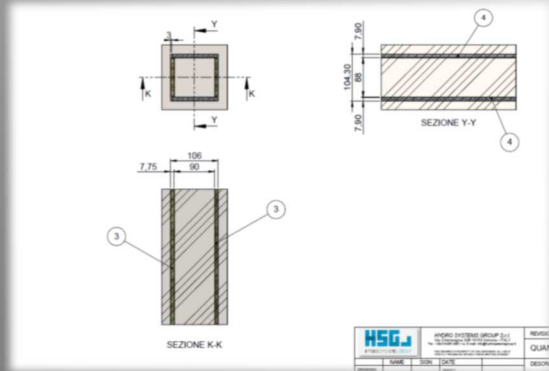
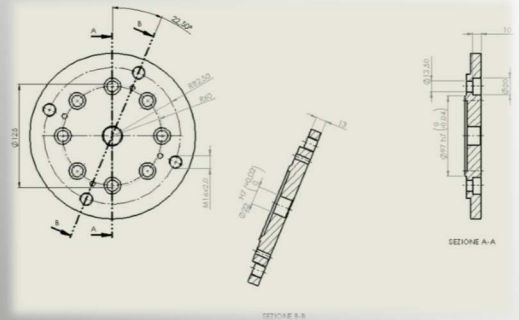
FINS STABILIZER

**MAIN CONTROL, MONITORS, HYDRAULIC,
MECHANICAL, ELECTRICAL/ELECTRONIC AUTOMATION**

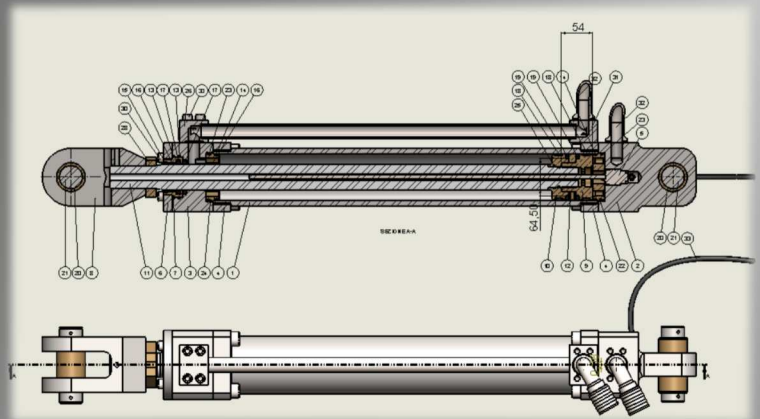
www.hydrosystemsgroup.it

e-mail: info@hydrosystemsgroup.it

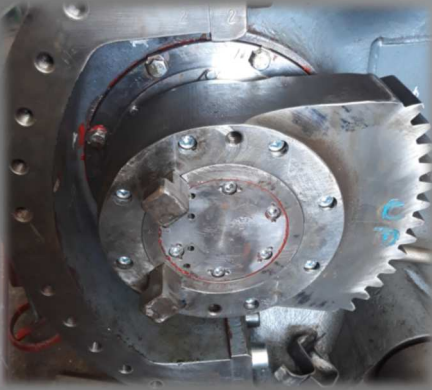
OVERHAUL OF STABILIZING FIN



Full Overhaul Of All Type of Cylinders



OVERHAUL OF STABILIZING FIN



HSG is able to carry out maintenance, mechanical processing and workshop management of construction on sites with professionalism.

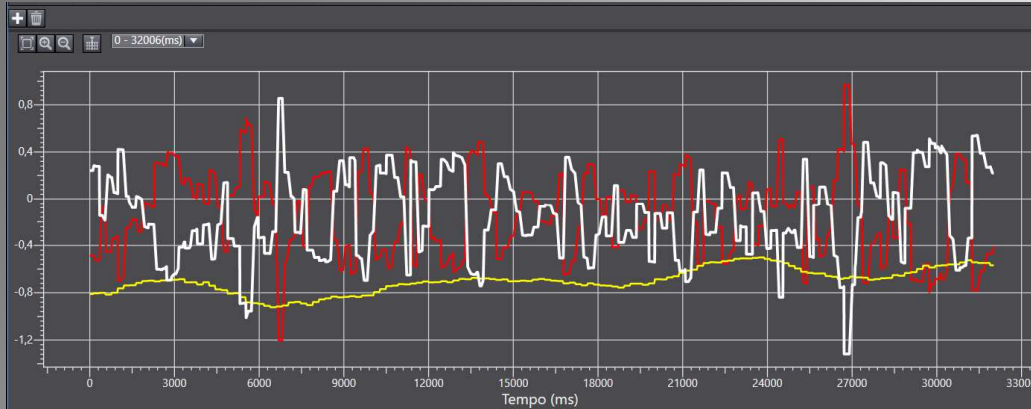
Furthermore, we offer to the customer experience in the design of mechanical parts on site.

All the mechanical processes during the Dry Dock are followed by HSG specialized technicians, with high skills and experience.



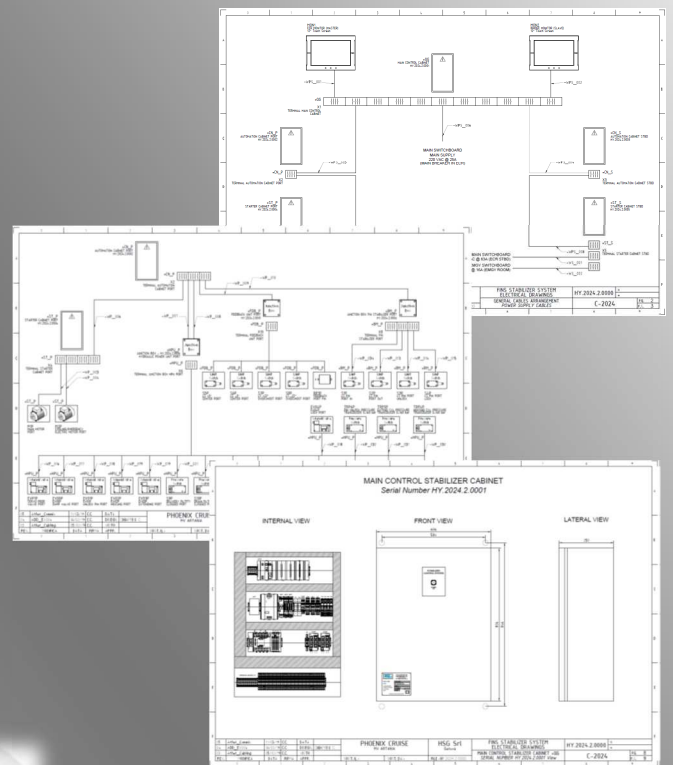
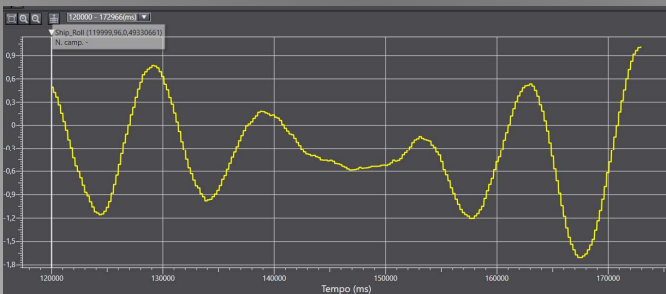
STABILIZER ELECTRICAL CONTROL

Roll Ship With HSG Stabilizing Control



- Roll Ship
- Port Stabilizer
- Stbd Stabilizer

Roll Ship Without HSG Stabilizing Control



Monitor 12" Touch Screen



Main Control Unit

Auto Speed With Dedicated GPS Antenna



Automation and Starter Unit

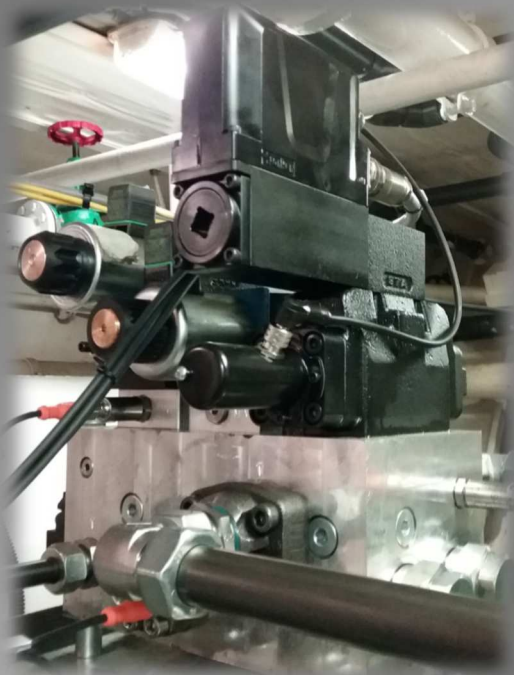


Angle & Acceleration Platform

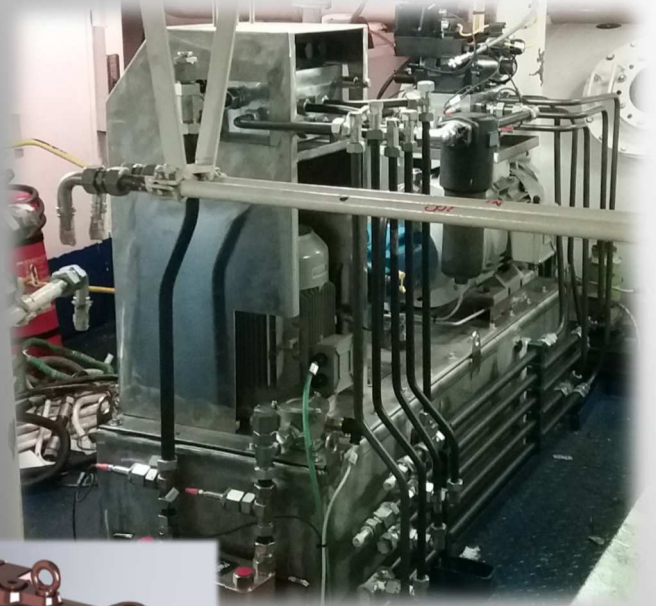


STABILIZER HYDRAULIC POWER UNIT

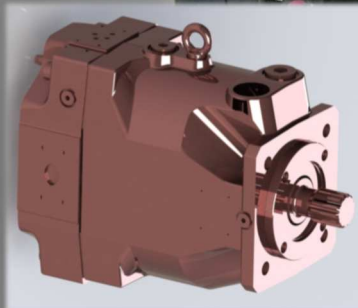
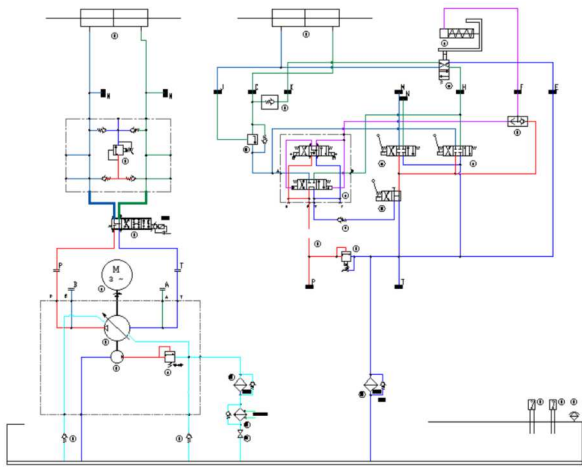
Proportional Valve Hydraulic Manifold



Hydraulic Power Pack and Piping

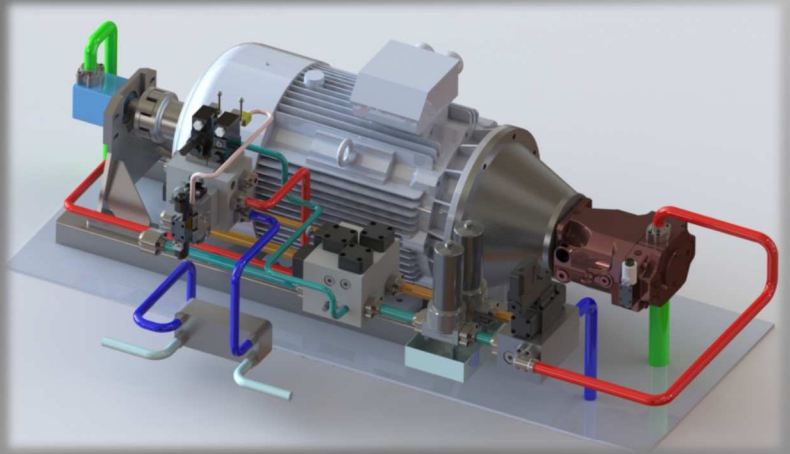


Hydraulic Diagram

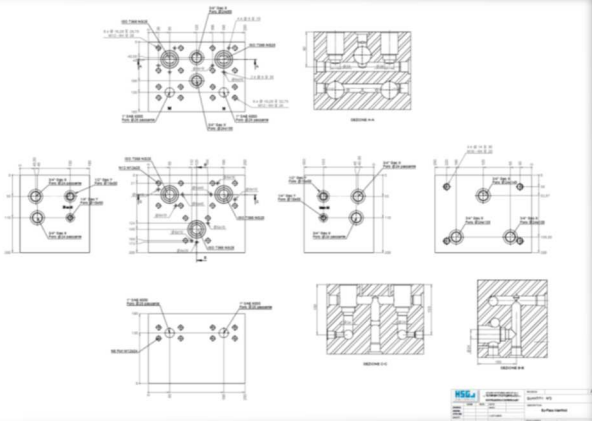


Variable Displacement
Piston Pump

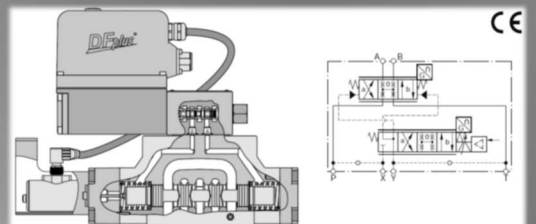
3D MODEL of Port and Stbd
Hydraulic Power Unit for the Stabilizing Fins



Hydraulic Manifold Design



Servo Valve Response 350 Hz





INDUSTRIAL & MARINE DEPARTMENT

Your Hydraulic System on Land and at Sea

Via Chiaravagna 32/B 16153

Genoa – Italy

Tel. +39 010 65 13 681

Fax. +39 010 65 13 691

General Info info@hydrosystemsgroup.it

Sales Dept. sales@hydrosystemsgroup.it

44° 25' 54" N – 8° 51' 15" E